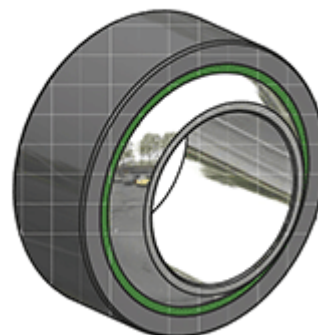
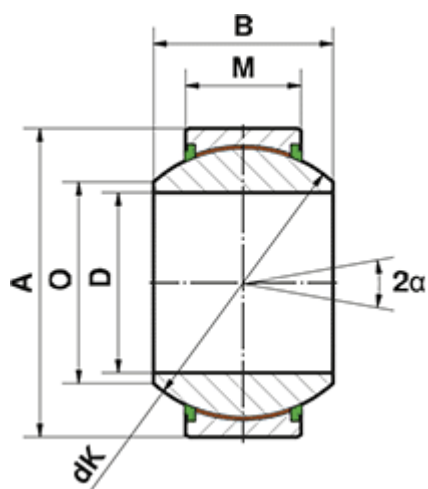


Article number: 03446025

Description: Fluro Heavy Duty Spherical Plain Bearing GE 25 GW-2RS
Hole Ø25

Note: 25

Measures



	= -	Dynamic load C (kN) = 162
	= -	M = 18
	= -	O = 29.5
A	= 47	Static load C0 (kN) = 272
a (degrees)	= 17	Weight (g) = 203
B	= 28	
D	= 25	
dK	= 40.7	